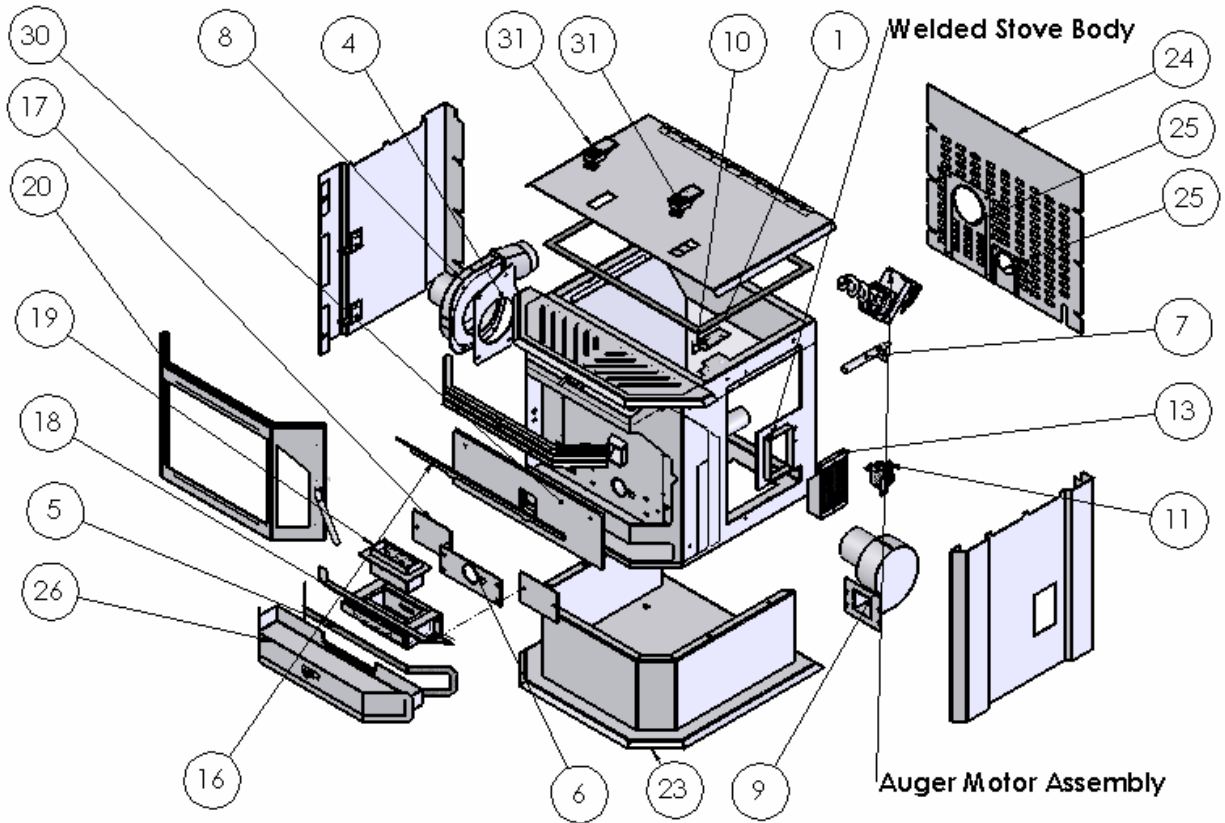
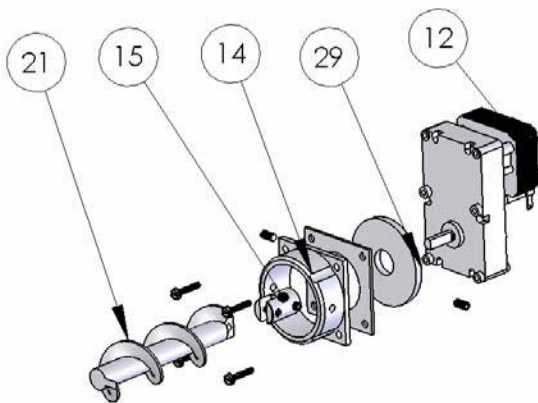


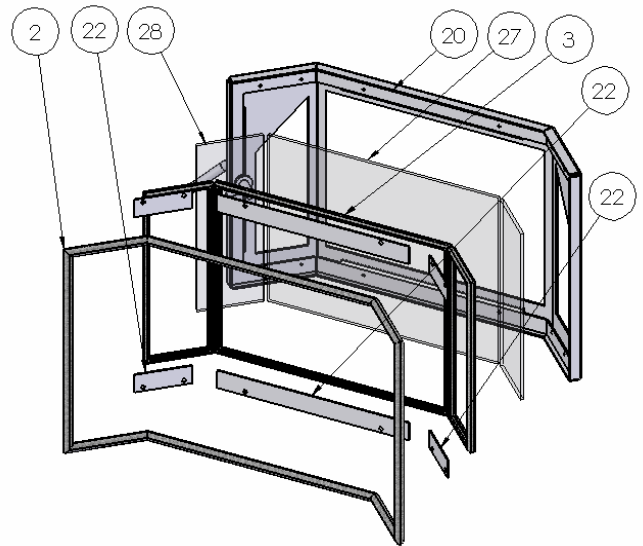
ILLUSTRATED PARTS DIAGRAM



Auger Motor Assembly



Steel Door Assembly



REPLACEMENT PARTS LIST

Part Number	Part Description	Diagram #
Gaskets		
AC-HLG	Hopper Lid Gasket	1
AC-DGKEP	Door Gasket	2
AC-GGK	Three Piece Window Gasket Kit	3
PU-CBG	Exhaust Blower Gasket	4
AC-GGK	Ash Pan Gasket	5
PU-CGEP	Cradle Mating Gasket	6
Electrical Components		
PU-CHA	Igniter Cartridge Heater	7
PU-076002B	Exhaust Blower	8
PU-4C442	Room Air Blower	9
AC-HLS	Hopper Lid Switch	10
CU-VS	.05" of WC Vacuum Switch	11
CU-047042	2 RPM Auger Motor	12
PU-CBEP	Control Board	13
Cast Iron		
CA-AMPP	Cast Iron Auger Motor Collar	14
Steel		
CA-AC	Steel Auger Coupler	15
IP-25EP	Firebox Baffle	16
PU-ECCEP	Exhaust Cleanout Covers	17
PU-BPCEP	Cradle	18
PU-BPEP	Burnpot	19
CA-40	Steel Door	20
PU-AFEP	Steel Auger	21
AC-GSEP	Glass Support Brackets	22
PU-BREP	Pedestal Base and Riser	23
PU-RAPEP	Rear Access Panel	24
PU-EPRCP	Exhaust and Intake Cover Plates	25
PU-APEP	Ash Pan	26
Glass		
AC-G40	Three Piece Glass - Center	27
AC-G41	Three Piece Glass - Side	28
Misc		
CU-RG	Rubber Auger Motor Bushing	29
AC-CFBEP	Fiberboard	30
AC-LSEP	Log Set	Not Shown
PU-VH	High Temp. Vacuum Hose	Not Shown
PU-62-40-151-3	Hopper Lid Latch	31
AC-SHN	Nickel Spring Handle	Not Shown
AC-SH	Brass Spring Handle	Not Shown
PU-EDIC	Exhaust Tube Insulation Wrap	Not Shown