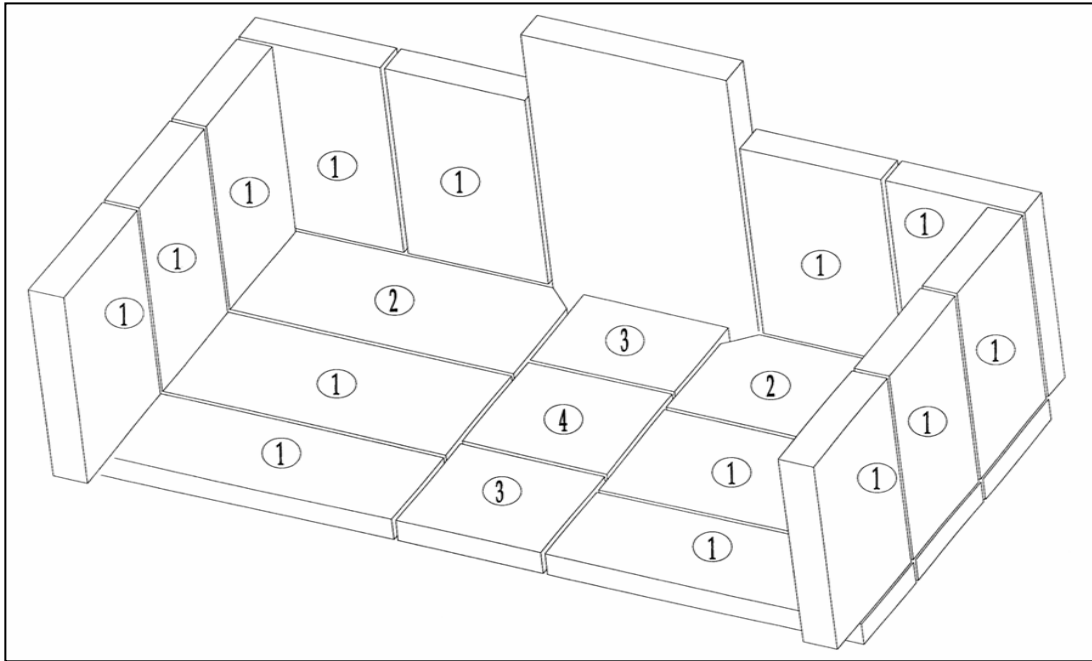


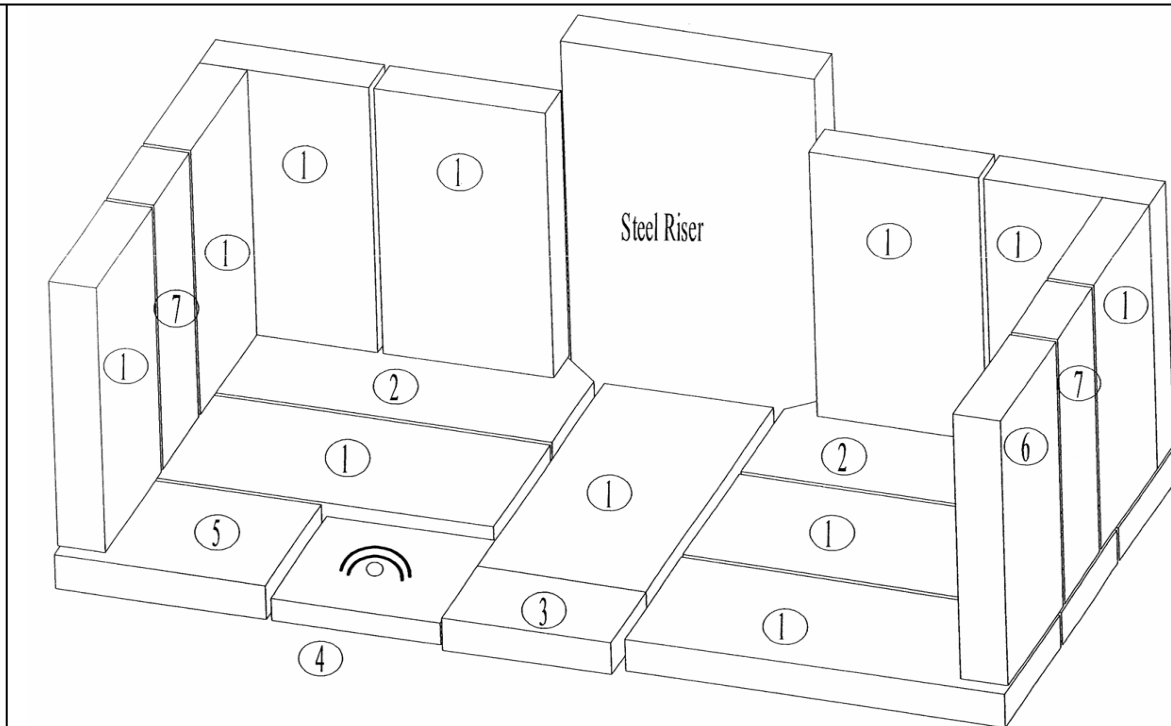
Wood Stoves with "13" in model number, that have the damper control ABOVE the door



BRICK LAYOUT

- | | |
|---|--|
| 1 – 9" x 4" x 1.25" brick (Qty. 14) | 3 – 4" x 2" x 1.25" brick (Qty. 1) |
| 2 – 9" x 4" x 1.25" brick w/ .75 x .75 notch (Qty. 2) | 4 – 4.5" x 4" metal plate (Ash Drawer Plate, Qty. 1) |
| | 5 – 4" x 4.5" x 1.25" brick (Qty. 1) |

Wood Stoves with "13" in model number, that have the damper control BELOW the door



BRICK LAYOUT

- | | |
|--------------------------------------|---|
| 1 – 9" x 4" x 1.25" brick (Qty. 11) | 2 – 9" x 4" x 1.25" brick w/ .75 x .75 notch (Qty. 2) |
| 3 – 4" x 2.5" x 1.25" brick (Qty. 1) | 4 – 4.5" x 4" metal plate (Ash Drawer Plate, Qty. 1) |
| 5 – 4" x 4.5" x 1.25" brick (Qty. 1) | 6 – 9" x 4" x 1.25" brick w/ 1" x 3" notch (Qty. 1) |
| 7 – 9" x 2.5" x 1.25" brick (Qty. 2) | |