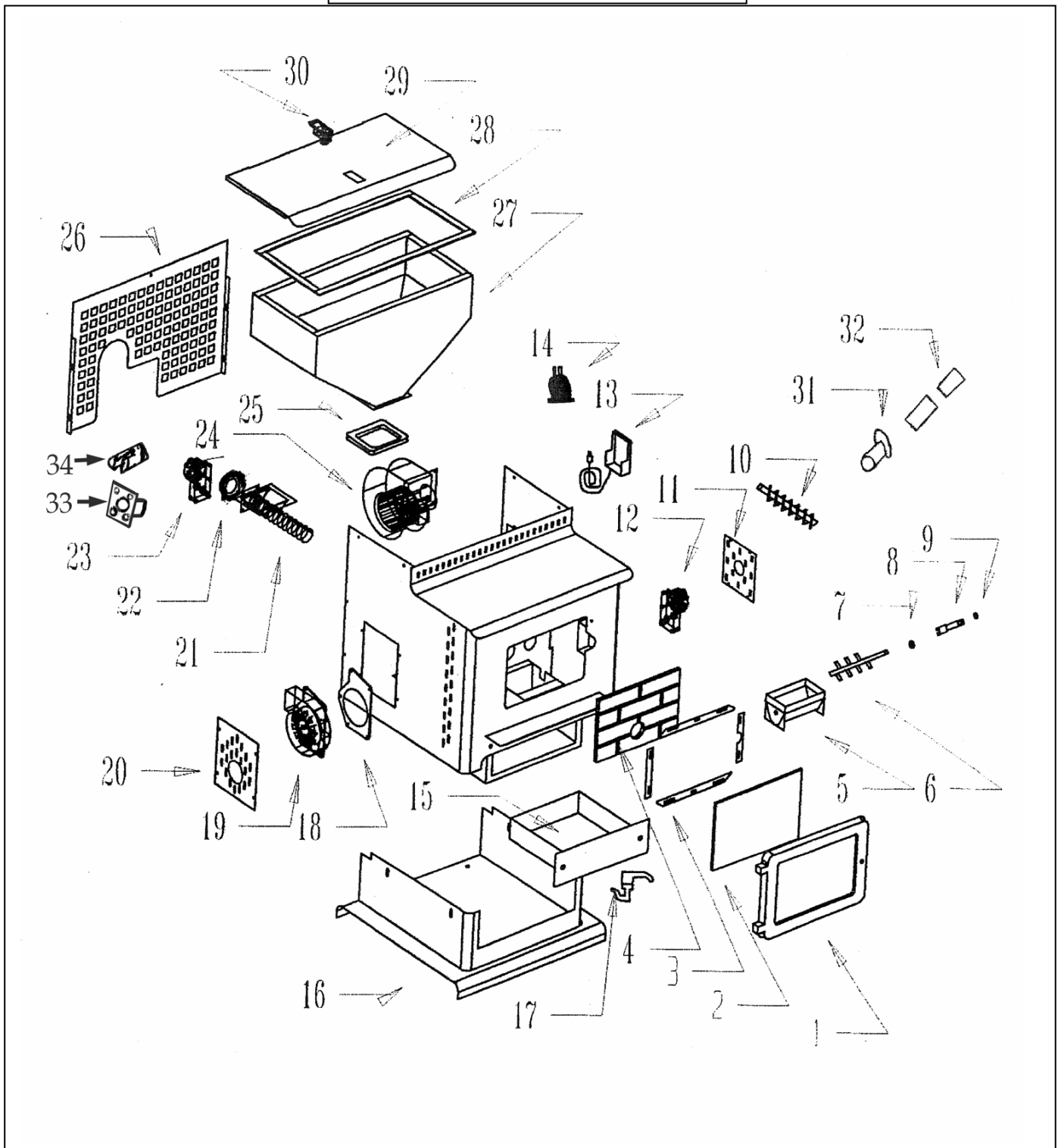


**Corn Stove – Exploded View Diagram
(Illustration 3)**



- | | | |
|--|---|---|
| 1 – Door (Part CA-13C) | 2 – Glass with Gasket (Part AC-G10) | 3 – Glass Supports |
| 4 – Brick Fiber Board (Part CU-CFB) | 5 – Burn Pot (Part CU-BP) | 6 – Fuel Stirrer (Part CA-FS) |
| 7 – Fuel Stirrer Collar (Part CU-SC) | 8 – Drive Shaft (Part CA-DS) | 9 – Mounting Collar (Part CU-MC) |
| 10 – Auger (Part CU-AFC) | 11 – Right Side Cover Plate | 12 – 2.4 RPM Auger Motor (Part CU-047042) |
| 13 – Control Board (Part CU-CB05) | 14 – Vacuum Switch (Part CU-VS) | 15 – Ash Pan |
| 16 – Base & Riser | 17 – Ash Pan Latch (PU-103-50, 2 per stove) | 18 – Comb. Blower Gasket (Part PU-CBG) |
| 19 – Combustion Blower (Part PU-076002B) | 20 – Left Side Cover Plate | 21 – Auger Tube Assembly (Part CA-AT) |
| 22 – Auger Tube Gasket (Part CU-RG) | 23 – 4 RPM Auger Motor (Part CU-047044) | 24 – Convection Blower (Part PU-4C447) |
| 25 – 5/8" Hopper Flange Gasket | 26 – Rear Access Panel | 27 – Hopper |
| 28 – Hopper Lid Gasket (Part PU-HLG) | 29 – Hopper Lid | 30 – Hopper Lid Latch (Part PU-62-40-151-3) |
| 31 – Fuel Stirrer Tube | 32 – Auger Shaft Bushing (Part CU-ASB, 2 per stove) | 33 – Auger Mounting Plate (Part CA-AMP) |
| 34 – Auger Coupler (Part CA-AC) | | |